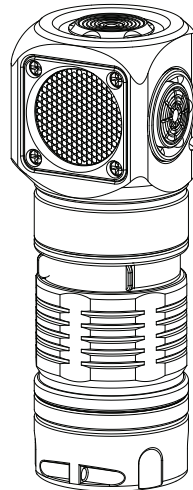




SKILHUNT

Lighting Solutions for Professionals



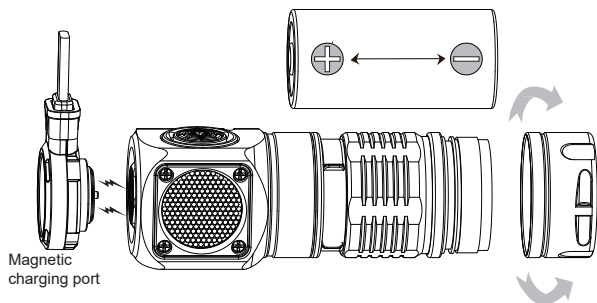
HO4 MINI RC MAGNETIC CHARGING HEADLAMP USER MANUAL

Specifications

Table with 10 columns: FL1 STANDARD, T1, T2, H1, H2, M1, M2, L1, L2. Rows include battery capacity (18350), beam distance (123m/113m), peak beam intensity (3800cd/3200cd), waterproof rating (IPX-8), and impact resistance (1m).

Note: The above parameters are only approximation, with high-quality lithium battery in the laboratory environment testing.

- Rated range: 2.7-8.4V, (recommend to use a 18350 lithium battery with excellent discharge performance)
Dimension: L70.9 mm / 2.79", Head diameter 23.5mm / 0.93", Body diameter .23.5mm / 0.93"
Weight: 45 g / 1.59 oz (Excluded battery)
Accessories: User manual, Spare O-rings, Lanyard, Clip, Magnetic Charging Cable



Please make sure the battery is correctly insert, otherwise it will not work!

Operation

1. Battery installation & Replace magnet

Insert the battery positive pole toward the light head, otherwise it will not work. When the light turning on, the beam is directed away from the eyes.

2. ON/OFF & Mode transfer

When the light is OFF status (unlocked), then hold press side switch 5 seconds to transfer MODE A / MODE B.

MODE A

When the flashlight was OFF status: Single click switch to memorized brightness level before the light was turned off. Quickly double press switch to Turbo mode. Quickly triple press switch to Strobe mode.

MODE B

When the flashlight was OFF status: Click switch to memorized brightness level. Hold press switch 0.5 sec to Low(L1) mode. Quickly double press switch to T1 level. Quickly triple press switch to Strobe mode.

3. Location indicator & Lock-out function

When turn off the flashlight, press switch 1.5 second, location indicator switch on and lock-out function activation at same time, the indicator light flash every second.

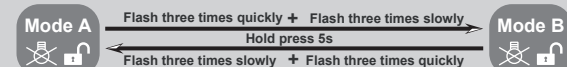
4. Power indicator & Low voltage indication

Every time turn on, the side indicator will be light 5 seconds to display the battery power. 4 blinks: 100%~80%, 3 blinks: 80%~50%, 2 blinks: 50%~20%, 1 blinks: 20%~0.

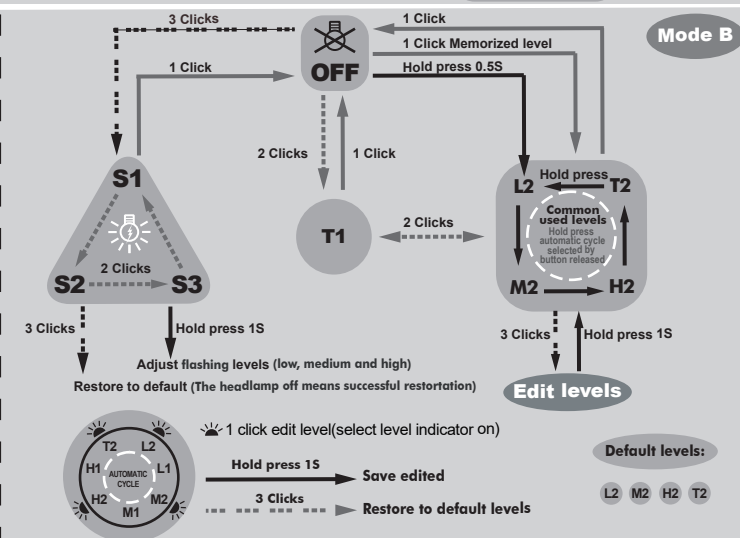
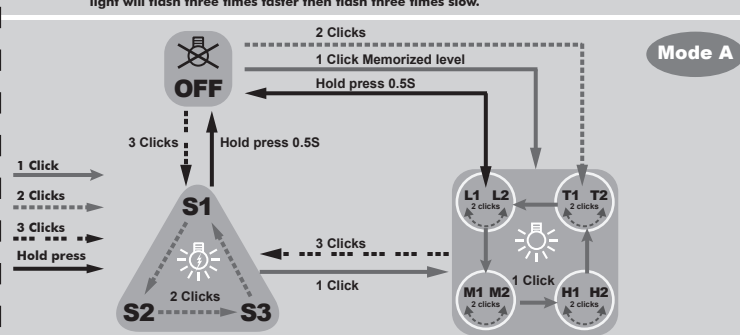
5. Charging instructions and notices:

In charging, the red indicator constant light on, when battery almost full charge, indicator change to constant blue light.

Warning: Rechargeable function only for one 18650 (3.6V / 3.7V) rechargeable lithium battery!



Transfer Mode A / Mode B: When headlamp is turned off without lockout, hold press side switch 5 seconds, light will flash three times faster then flash three times slow.



Warranty Card

This warranty card and the purchasing invoice are both considered as the Protection to its warrantees. Please confirm that the blank is filled out with relevant information, so please reserve them carefully.

Warranty Card form with fields for Product name, Model, Term of warranty (24 months), Purchase date, Dealer's name, Website, Address, Email, Customer name, Tel, Address, Email, Product defect details.

- Notes: 1. Within 15 days of purchase, any defective lights will be offered free replacement by SKILHUNT distributors unconditionally. 2. Within 24 months from the day of purchase, SKILHUNT offers free repair after service. 3. Limited lifetime warranty. 4. For more details, please refer to the website.



Thanks for purchasing SKILHUNT!

SKILHUNT Electronic Technology Co., Ltd.

Email: service@skilhunt.com
Website: www.skilhunt.com
Address: Shenzhen, 518102, China

